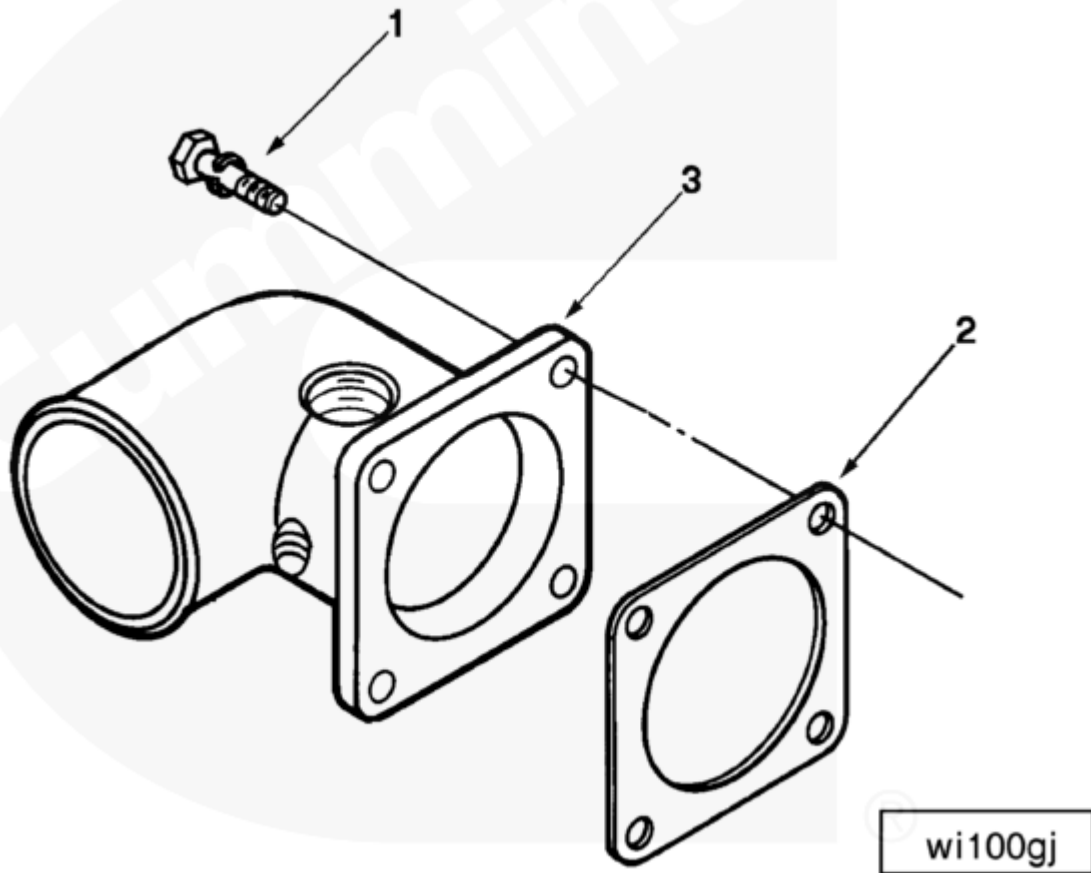




Parts Catalog - Option Detail

Electronic Parts Catalog - Option Detail				
Option	Group	Graphic	Film Card	Date
WI1057	08.07.1	wi100gj	FF	17-JUL-90
Engines	G855, G855 CM558, GTA855 CM558 (CM2358) G101, N14 CELECT, N14 CELECT PLUS, N14 MECHANICAL, NH/NT 855, QSM11 CM876 M101, QSM11 CM876 M102M, QSN14 CM876 N103, QSN14 CM876 N105, QSNT14 CM876 N102			

©Cummins Inc



[SMALL](#) | [MEDIUM](#) | [LARGE](#)

Cart	Ref No	Part Number	Part Description	Required	Remarks
View My Cart					
		WI1057	Water Inlet Connection		Water inlet...(More)
					connection, 2 1/2 inch O.D.
					one piece fabrication,

					mounted to water pump. Inlet
					connection faces forward and
					down. Contains 3 NPTF holes,
					sizes 3/8, 1/2 and 3/4 inch.
					Pipe plugs installed by
					supplier.
<input type="checkbox"/>	1	3010596	Captive Washer Cap Screw	4	3/8 - 16 x 1 1/4 in.
<input type="checkbox"/>	2	3024960	Connection Gasket	1	
<input type="checkbox"/>	3	3027610	Water Inlet Connection	1	

© 2019 Cummins Inc., Box 3005, Columbus, IN 47202-3005 U.S.A.
Terms of Use and Disclaimers | Recommended System Requirements
Need Assistance? Please click on the Contact Us button in the top right corner of any page.